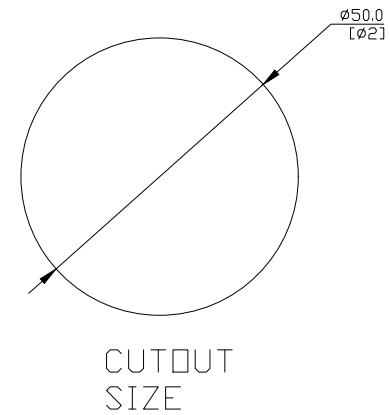
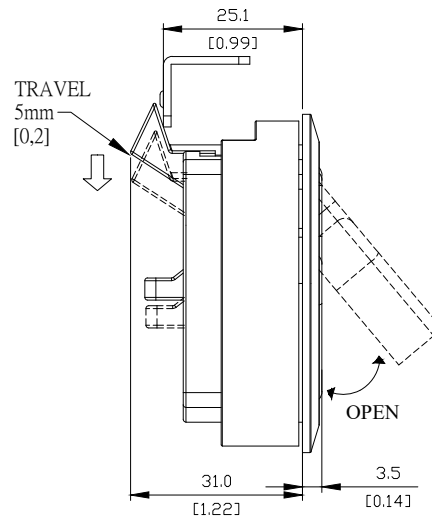
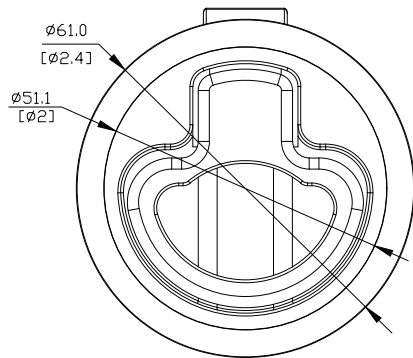

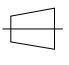


SCREWS M5X12  
(Supplied)



## Whitecap

Units	mm / inches	View	 
P/N	3227B		20160105