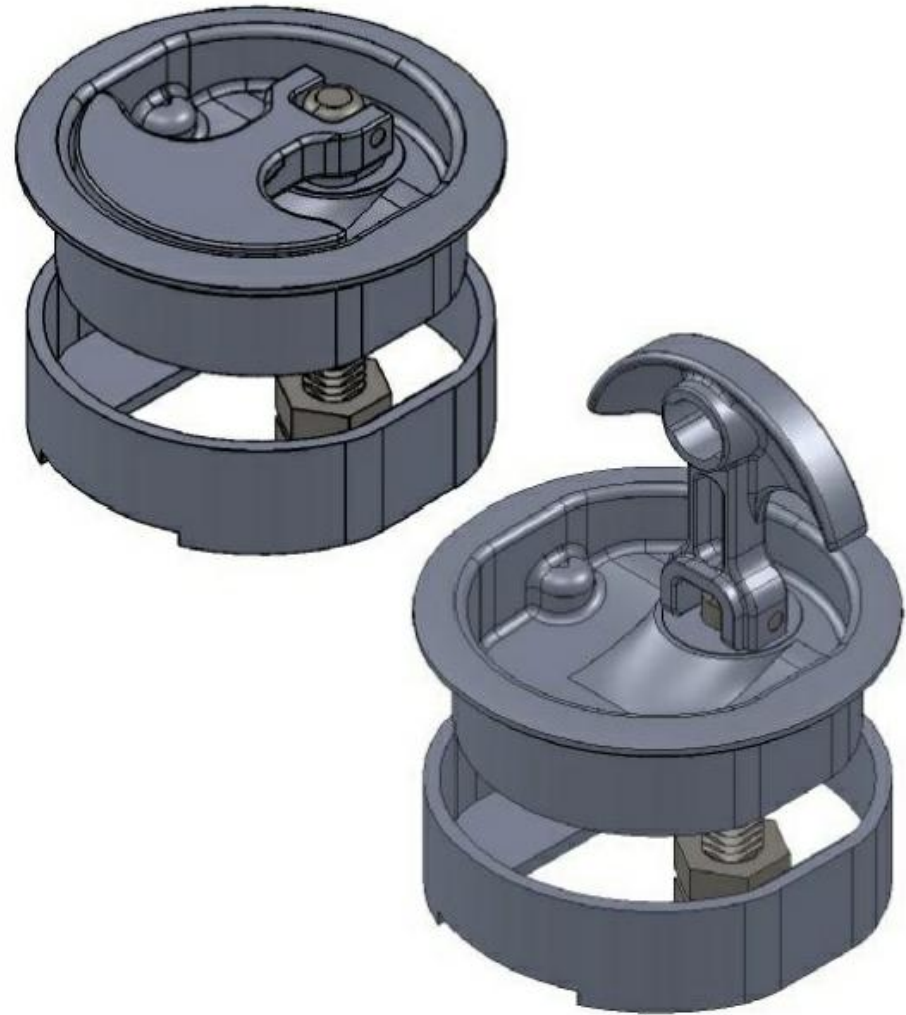
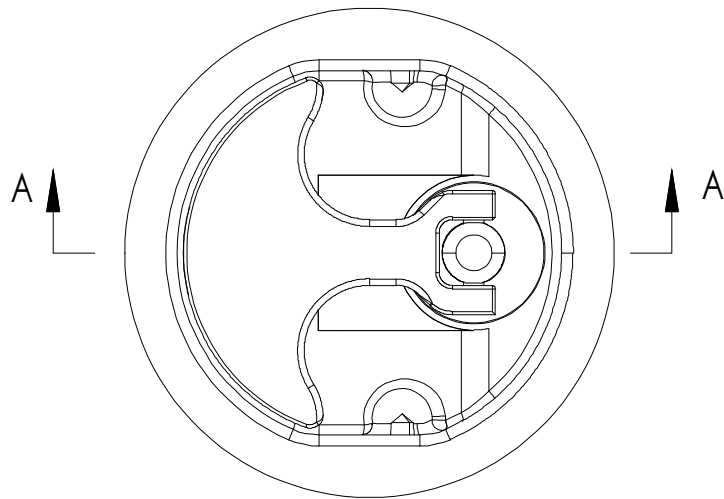
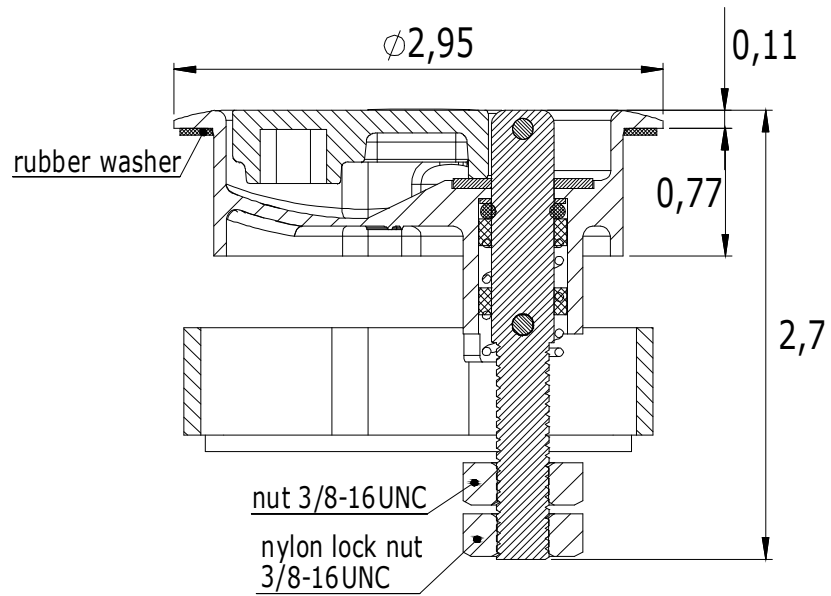


SECTION A-A



Whitecap			
Units	Inches	View	
P/N	S-8235		20181002